

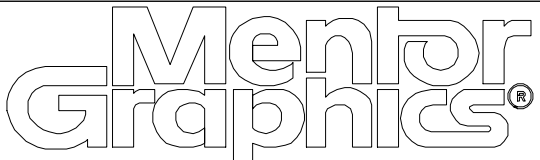
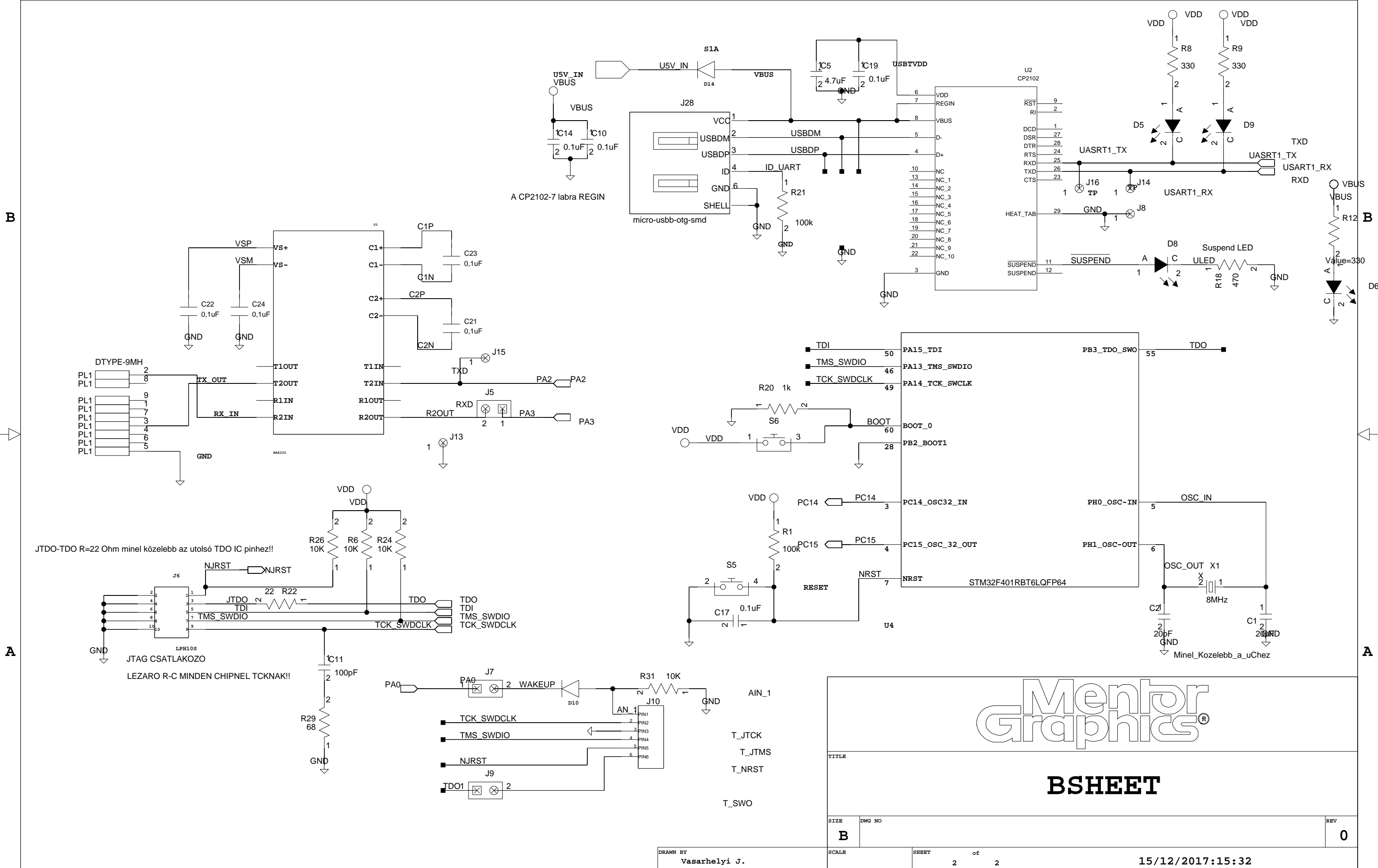
| | | | | | | | |
|-------|--------|---------|--|-------|--|----|--|
| TITLE | | stm32f4 | | REV | | 0 | |
| SIZE | DWG NO | SCALE | | SHEET | | of | |
| B | | | | 1 | | 2 | |

B

B

A

A

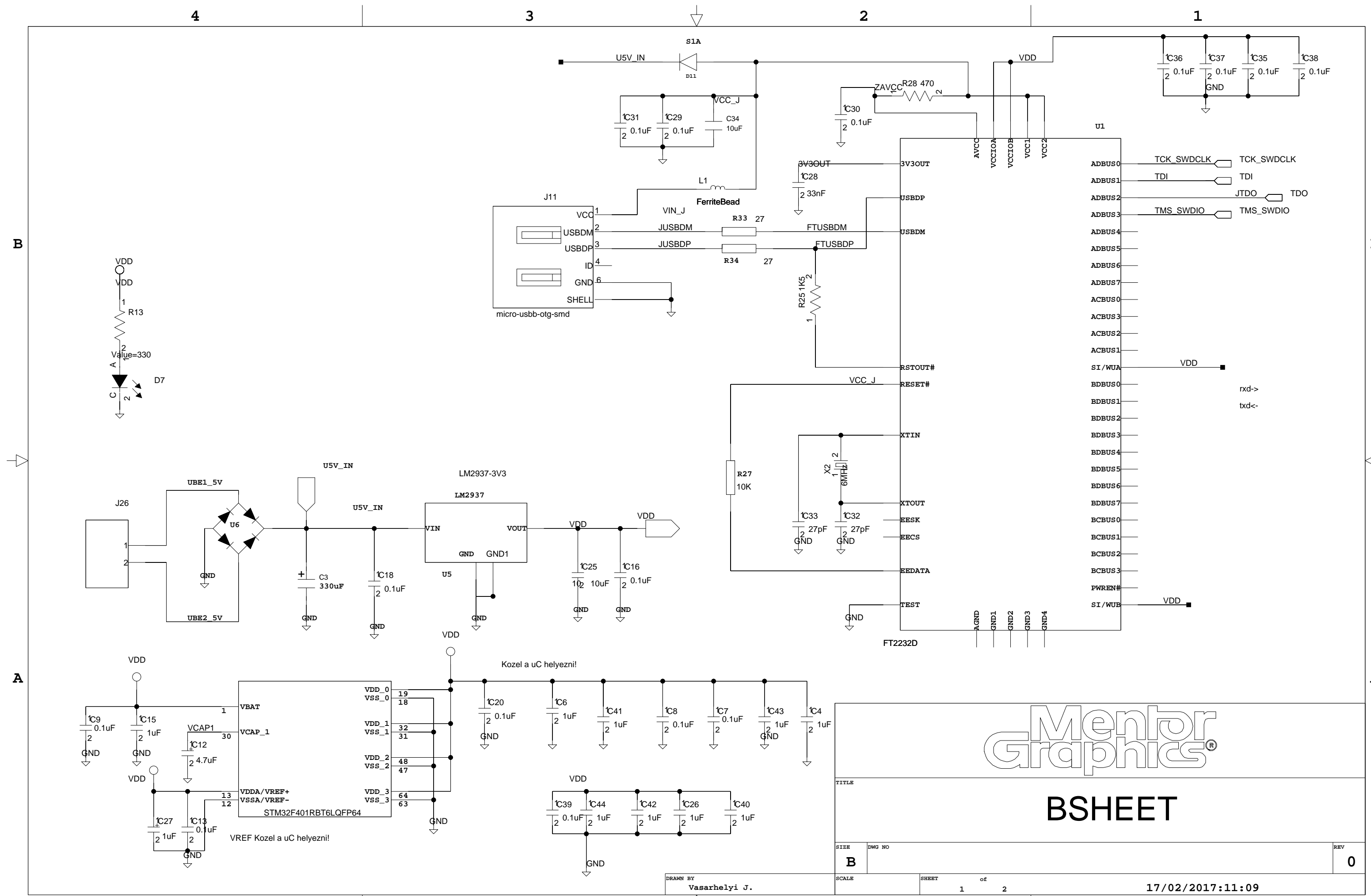


BSHEET

| | | | | |
|------|--------|-------|----|-----|
| SIZE | DWG NO | SHEET | of | REV |
| B | | 2 | 2 | 0 |

DRAWN BY
Vasarhelyi J.

15/12/2017:15:32



4

3

2

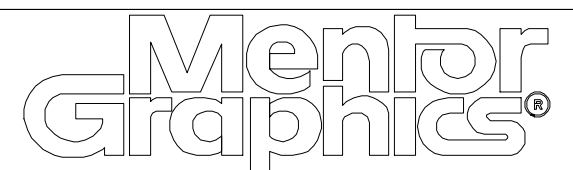
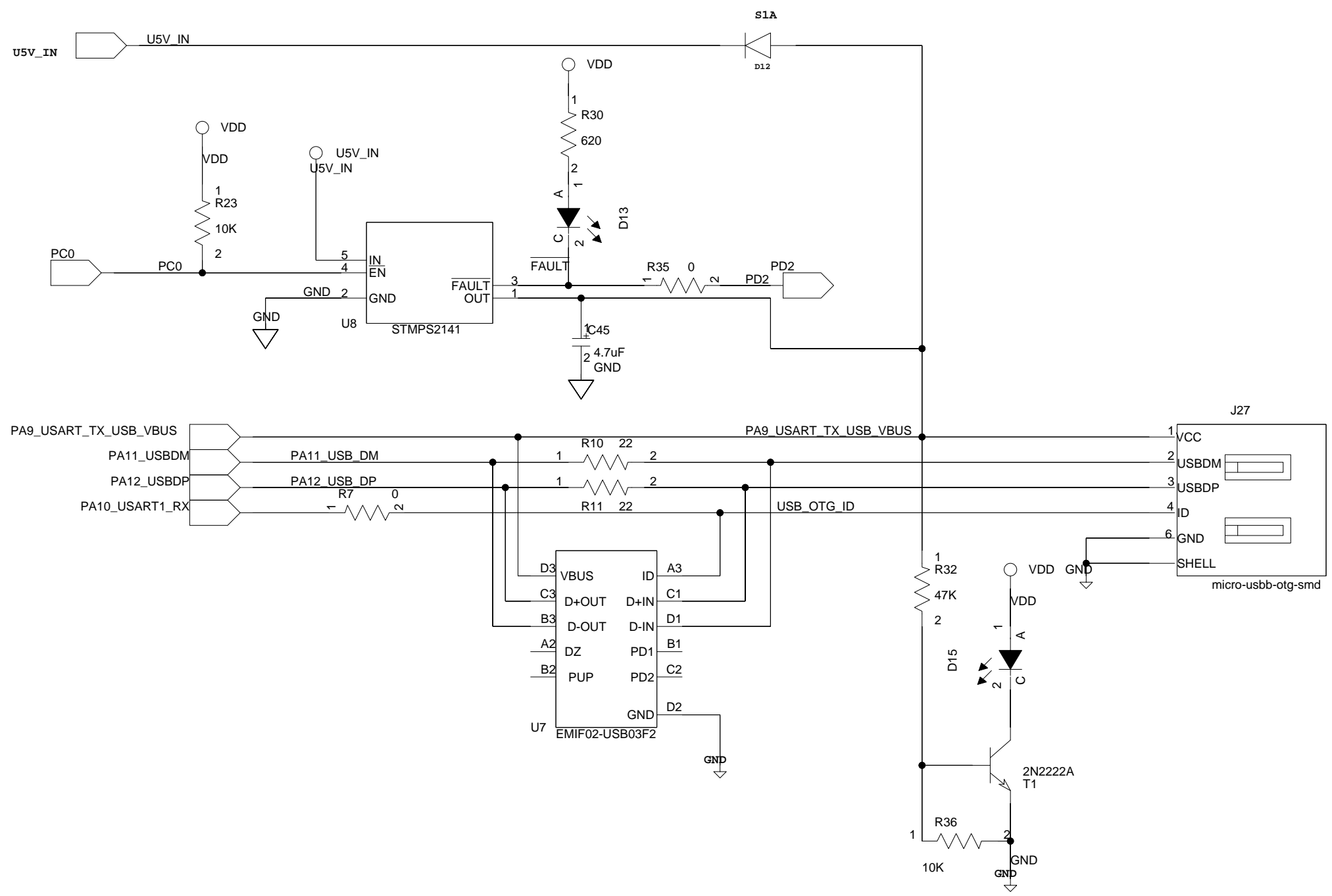
1

B

B

A

A



BSHEET

| | | |
|----------|--------|----------|
| SIZE | DWG NO | REV |
| B | | 0 |

| | | | | |
|---------------|-------|-------|----|------------------|
| DRAWN BY | SCALE | SHEET | of | DATE |
| Vasarhelyi J. | | 1 | 2 | 17/02/2017:10:41 |

4

3

2

1