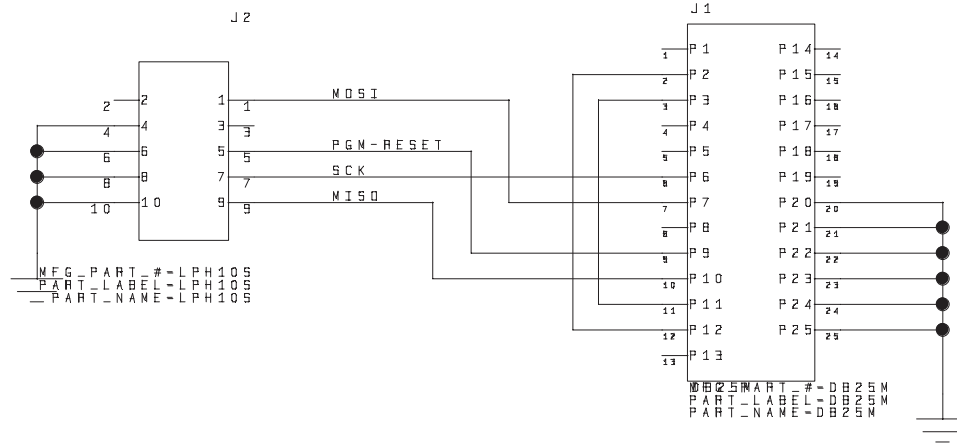


D

C

B

A



TITLE

A3 SHEET

SIZE DWG NO

A3

DRAWN BY  
<YOUR NAME HERE>

SCALE

SHEET 1 of 2 10-1-2003